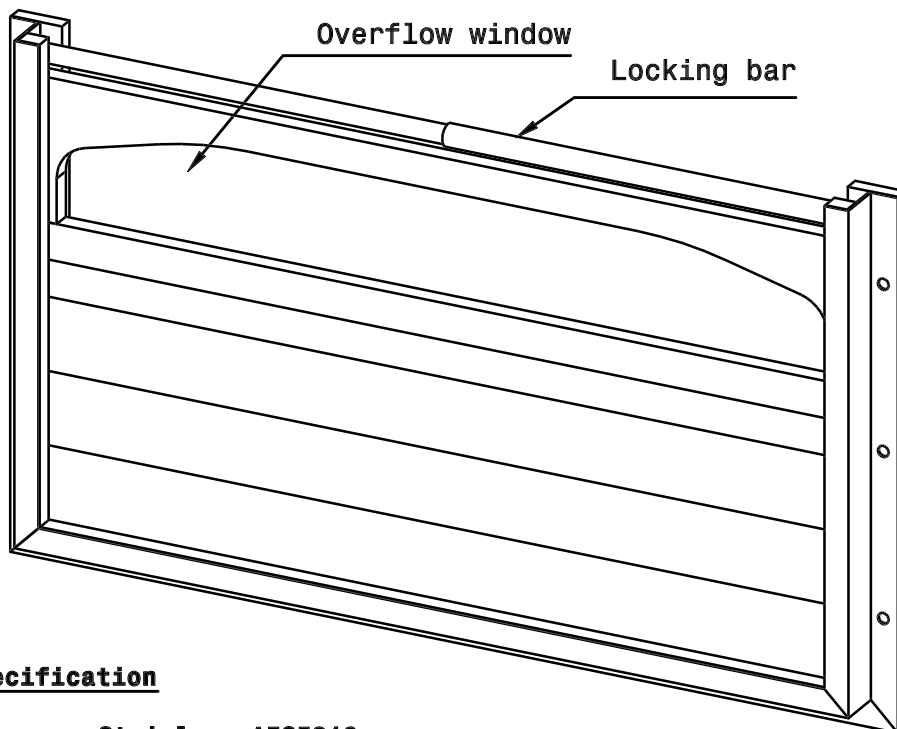
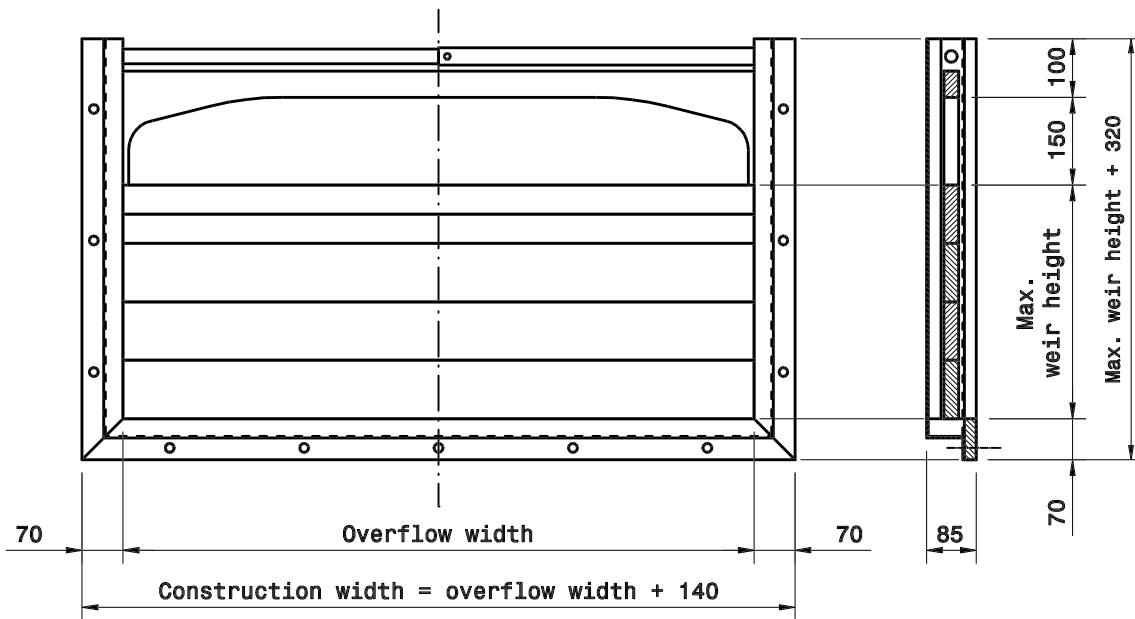


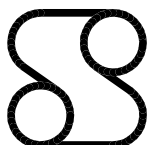
# Stop log weir



## Material specification

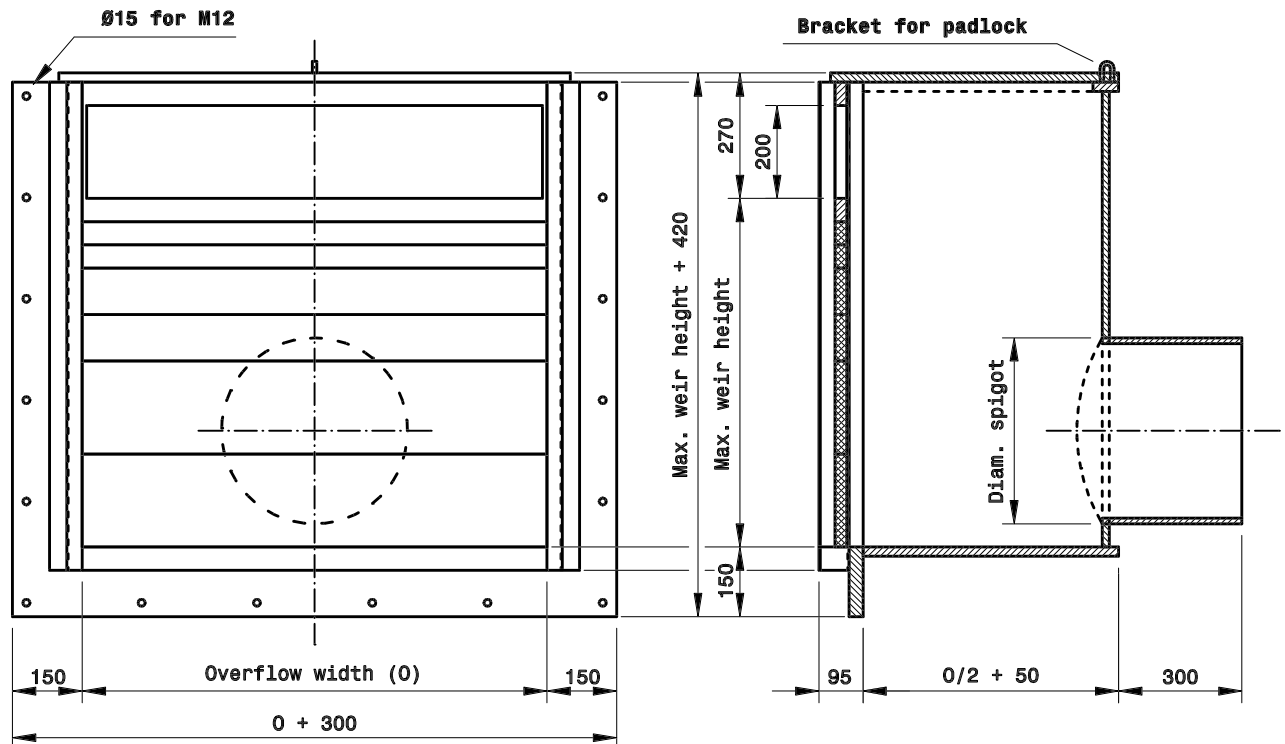
Frame	- Stainless AISI316
Guiding strips	- HDPE-300
Sealing	- EPDM
Stop logs	- Alum. 6005 F28
Locking bar	- Stainless AISI316

Mounting holes  
 Ø15 for M12 (pitch approx. 250)



**Synthesis BV - tel. +31 (0)321 380457**  
**Koperweg 17 - 8251 KA Dronten**

# Stop log weir with overflow pit

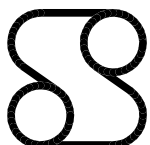
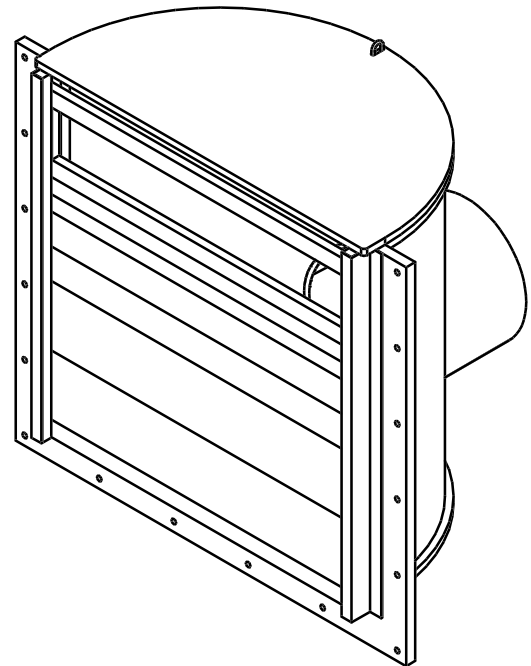


## Material specification

Cover, pit, floor,	- HDPE-300
spigot and frame	- EPDM
Sealings	- Stainless
Stop log guides	- AISI316
Stop logs	- Alum. 6005
Overflow window	- HDPE-300

## Supplemental data

- Stop logs 50, 100 en 200mm
- Free overflow height in the window: 200mm
- Connecting spigot for interior or exterior connection on customer specification



Synthesis BV - tel. +31 (0)321 380457  
Koperweg 17 - 8251 KA Dronten