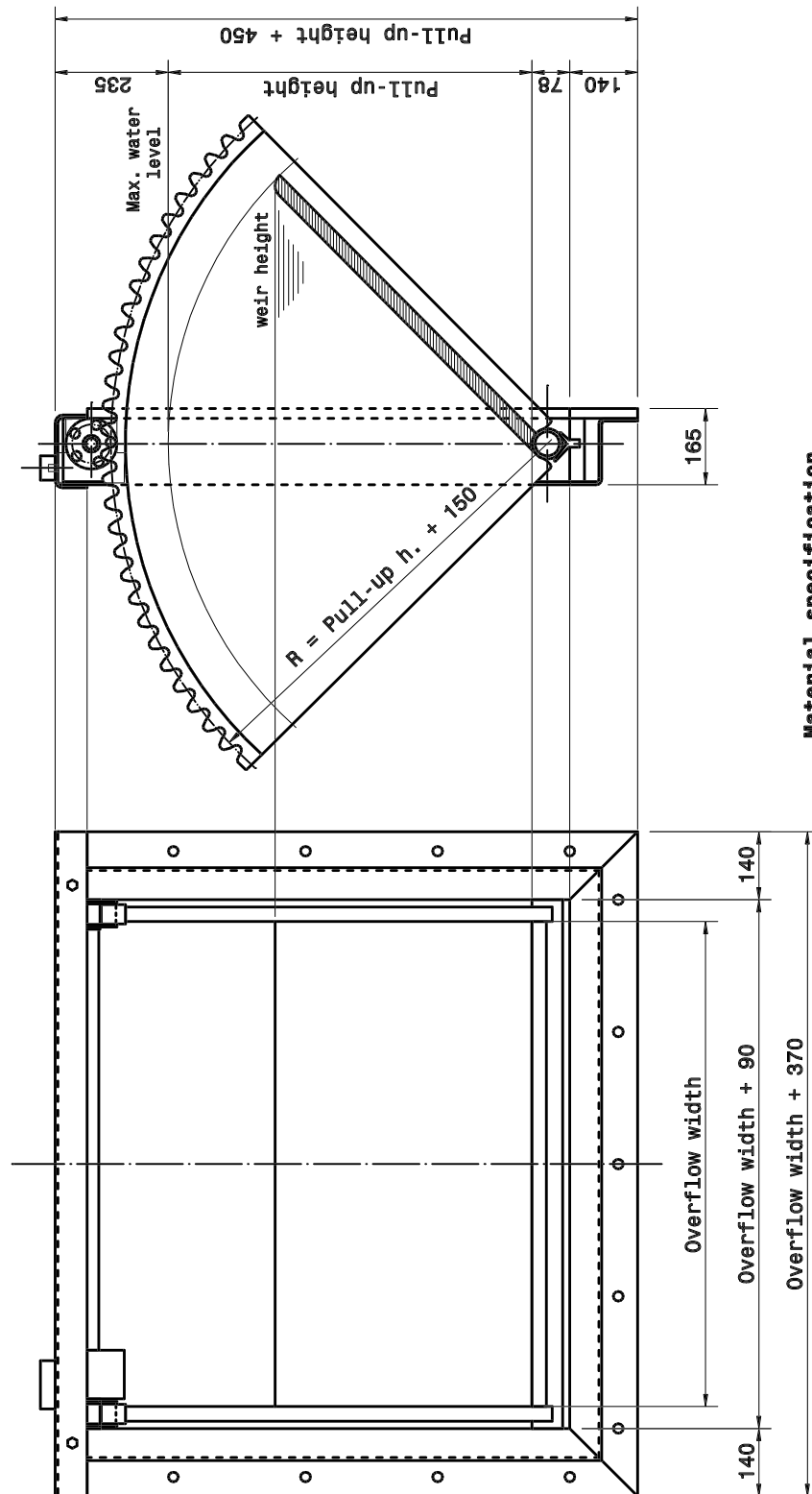


Pivoted weir type KLS

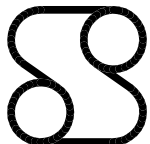


Material specification
 Frame, pinions and axle
 Weir-plate and supports
 Pivot axle

- Stainless AISI316
- HDPE-300
- Stainless AISI316 with HDPE bushing
- Browngear i=50:1
- HMPE-500
- EPDM

Worm wheel transmission
Exchangable gear rings
Sealings

Mounting: Chemical anchors or hexagon head wood screws M12

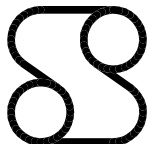
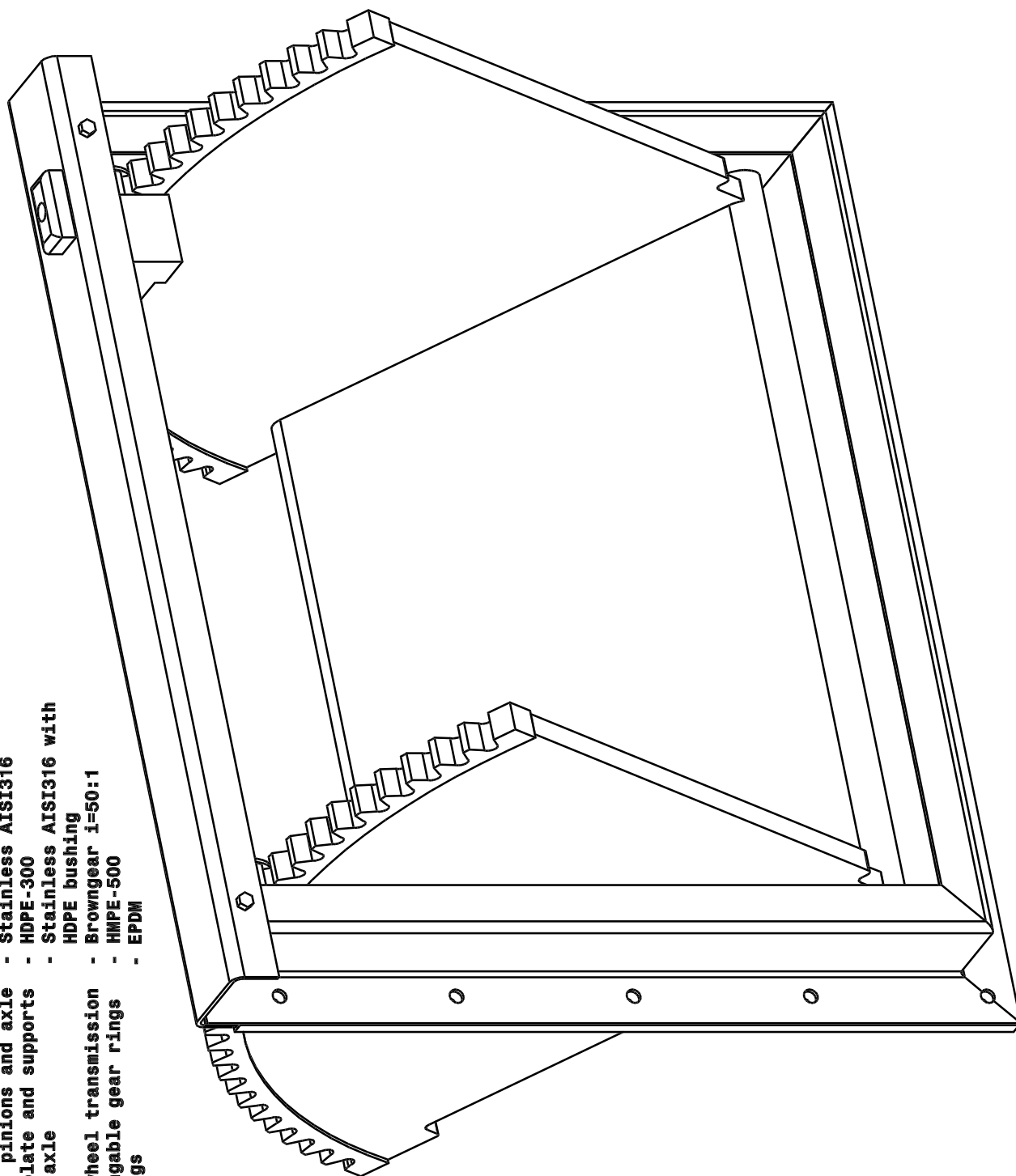


Synthesis BV - tel. +31 (0)321 380457
Koperweg 17 - 8251 KA Dronten

Pivoted weir type KLS

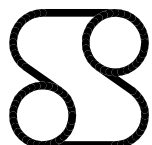
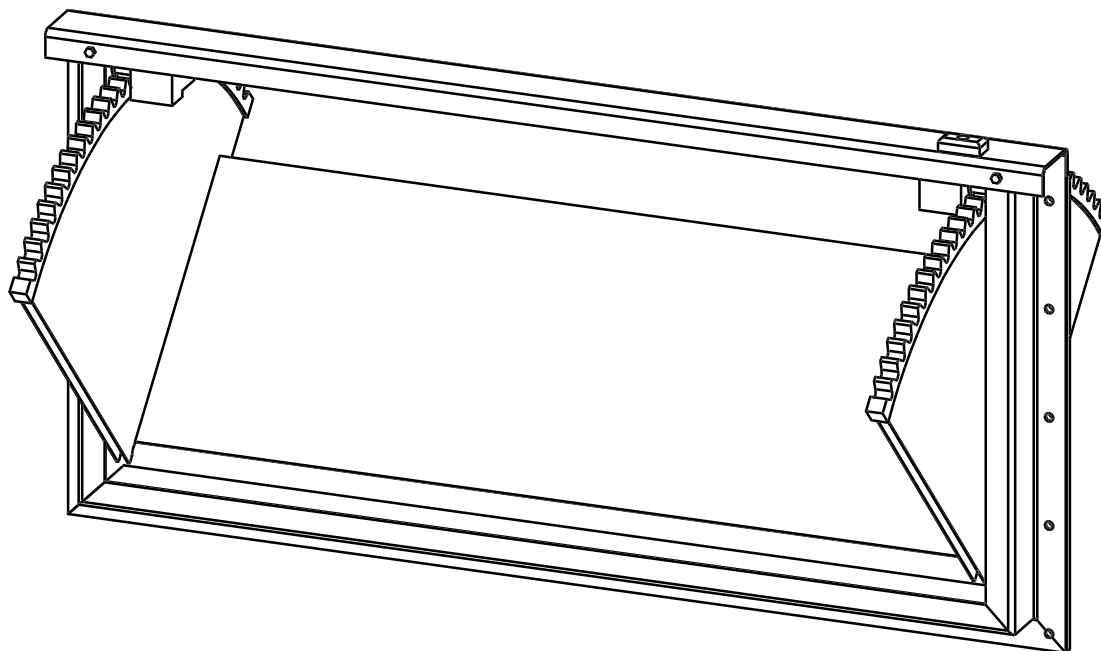
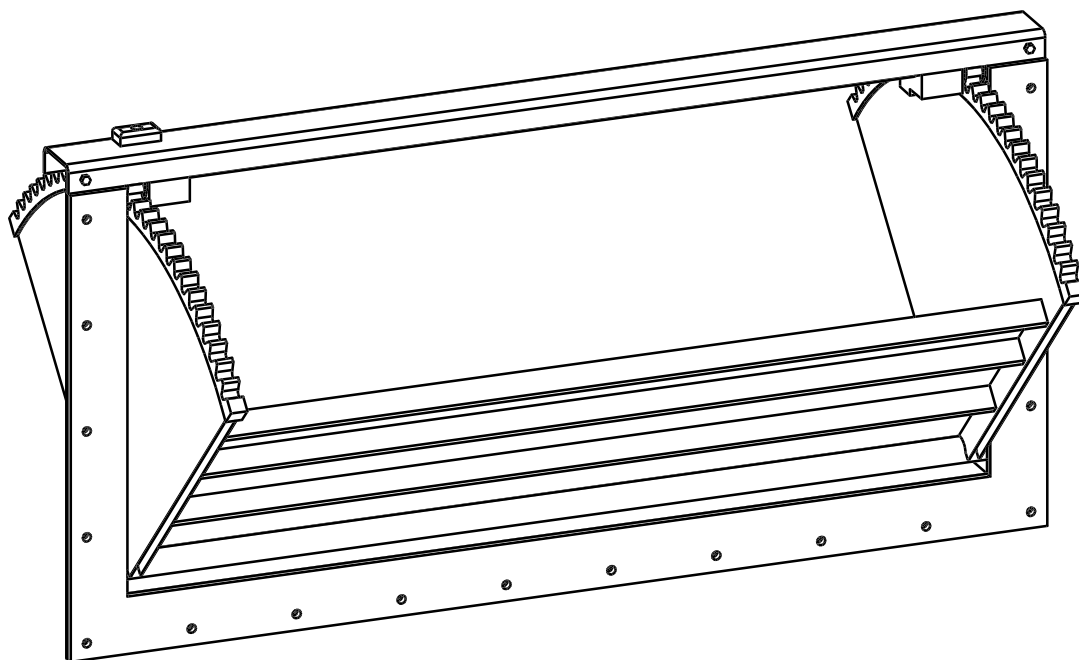
Material specification

- Stainless AISI316
 - HDPE-300
 - Stainless AISI316 with HDPE bushing
 - Browngear i=50:1
 - HMPE-500
 - EPDM
- Frame, pinions and axle
Weir-plate and supports
Pivot axle
Worm wheel transmission
Exchangable gear rings
Sealings



Synthesis BV - tel. +31 (0)321 380457
Koperweg 17 - 8251 KA Dronten

Pivoted weir type KLSRVS



Synthesis BV - tel. +31 (0)321 380457
Koperweg 17 - 8251 KA Dronten