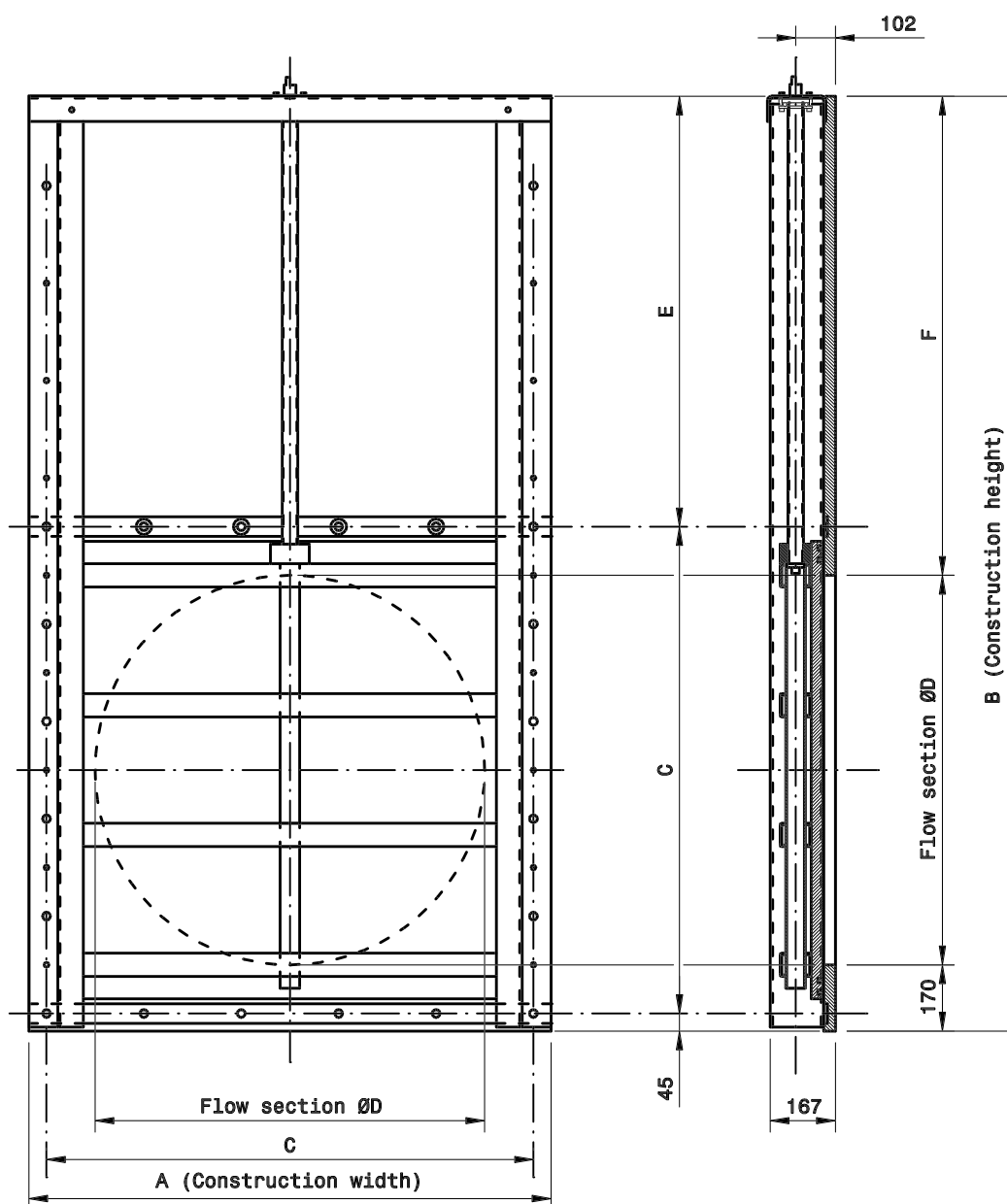


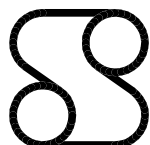
Penstock Ø1000-Ø1500



ØD	A	B	C	E	F	Mounting (M16)	Weight
1000	1340	2400	1250 (5x 250)	1105	1230	18x Anchor + 4x CS	175 kg
1250	1590	2900	1500 (5x 300)	1355	1480	18x Anchor + 4x CS	225 kg
1500	1840	3400	1750 (7x 250)	1605	1730	24x Anchor + 6x CS	255 kg

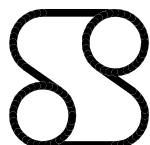
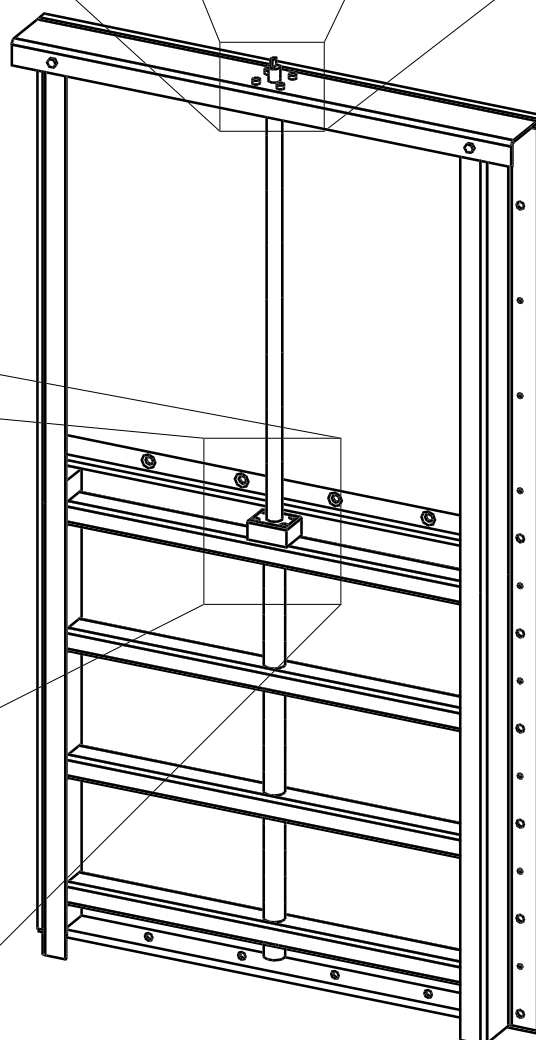
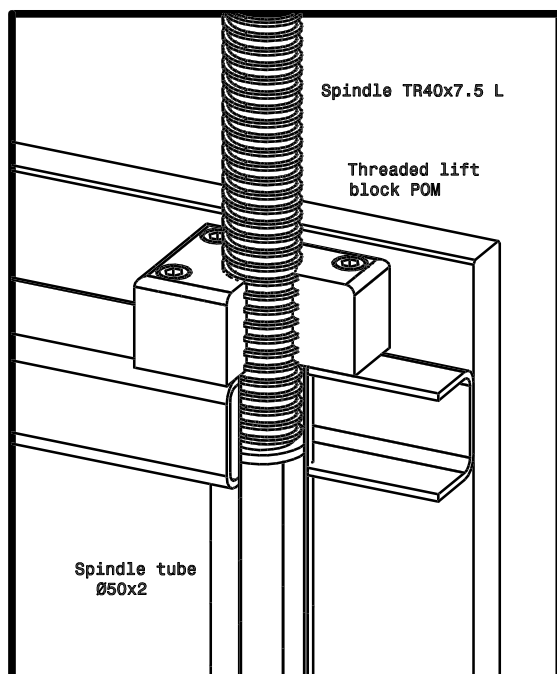
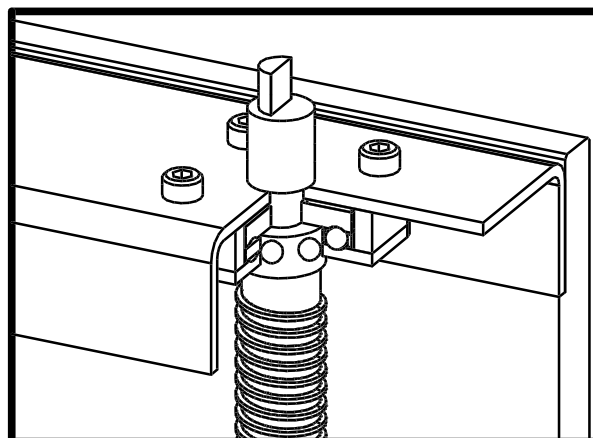
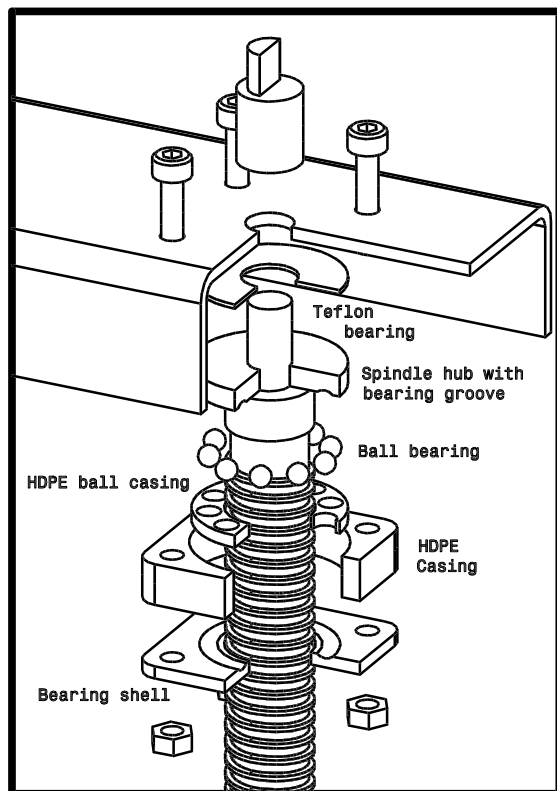
Material specification

Slide and seat	- HDPE-300	Spindle bearing	- Stainless steel ball bearing
Spindle TR40x7.5L.	- Stainless AISI316	Sealing	- EPDM
Frame and tubes	- Stainless AISI316	Bolts and nuts	- A4
Threaded lift block	- POM		



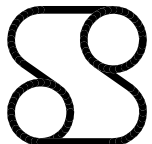
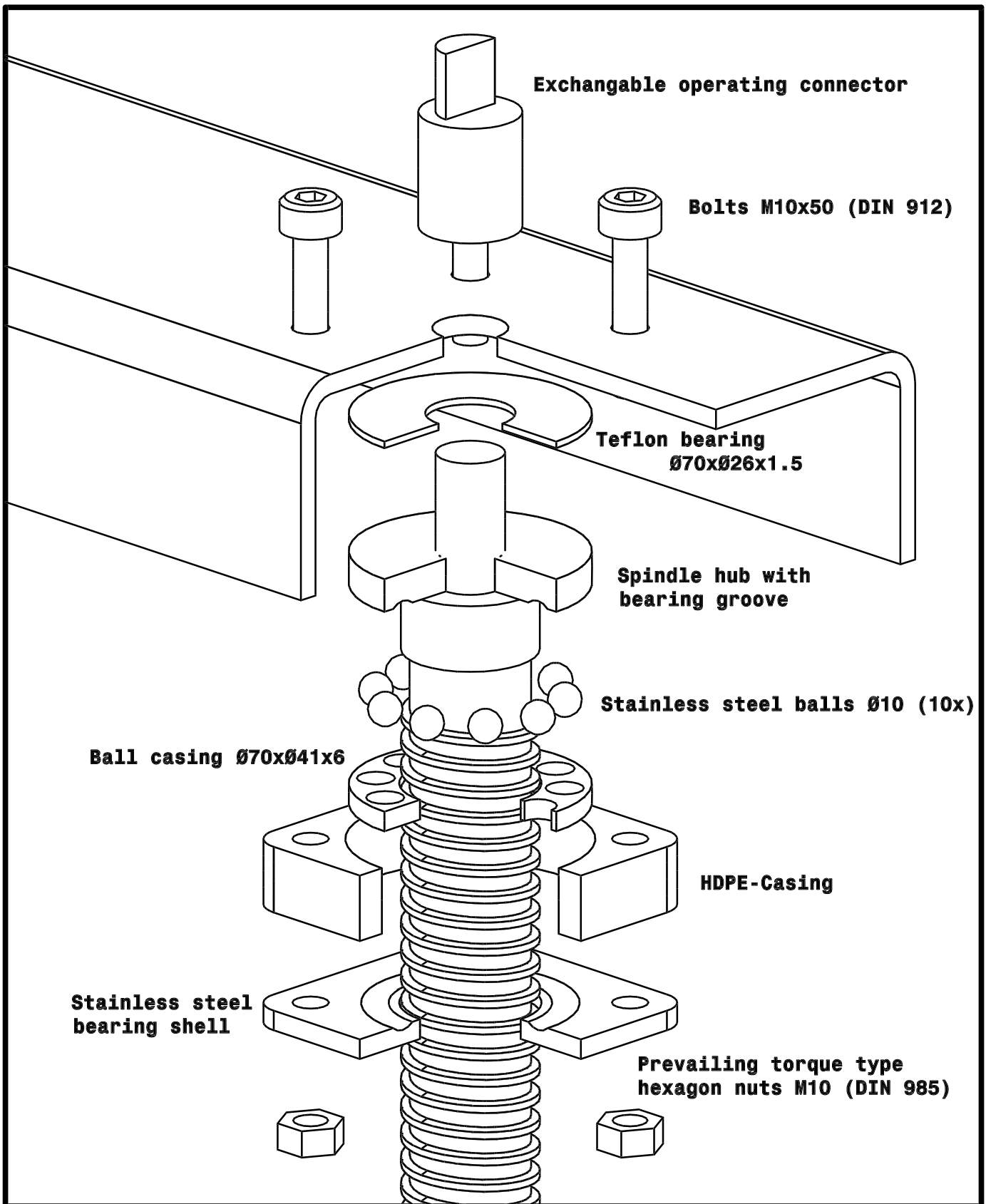
Synthesis BV - tel. +31 (0)321 380457
Koperweg 17 - 8251 KA Dronten

Detail penstock Ø1000-Ø1500



Synthesis BV - tel. +31 (0)321 380457
Koperweg 17 - 8251 KA Dronten

Detail penstock Ø1000-Ø1500



Synthesis BV - tel. +31 (0)321 380457
Koperweg 17 - 8251 KA Dronten