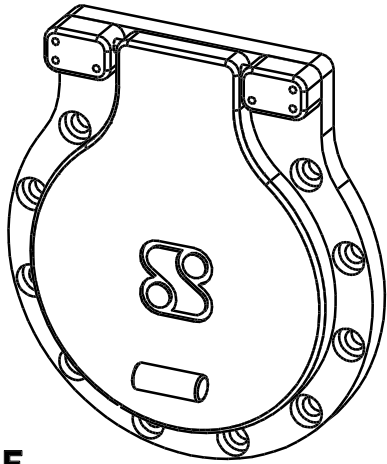
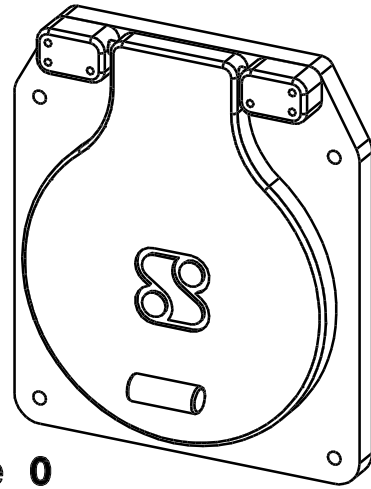


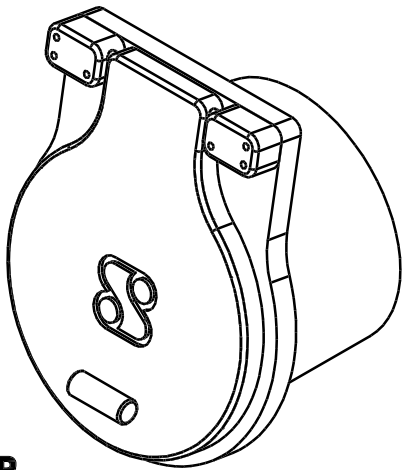
# Check valve models Ø125-Ø600



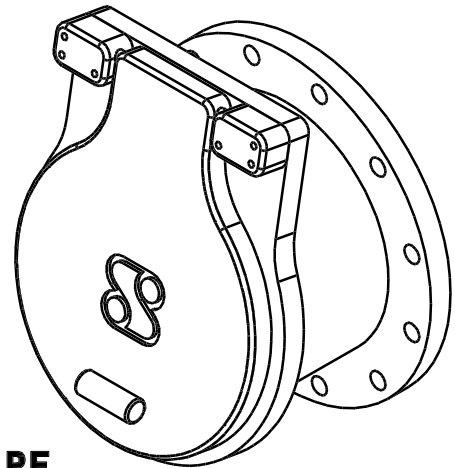
type F



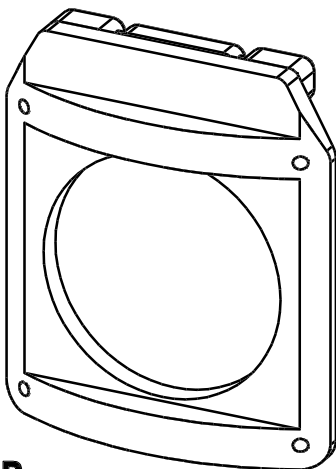
type O



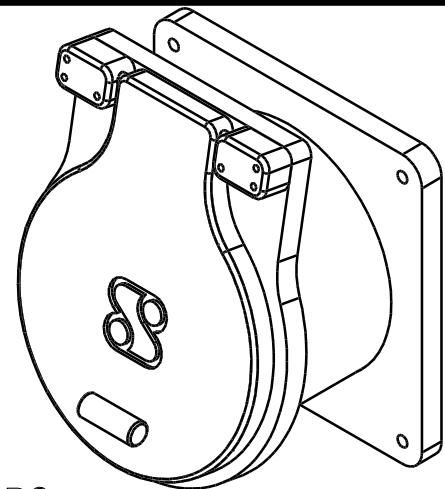
type P



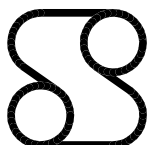
type PF



type BR

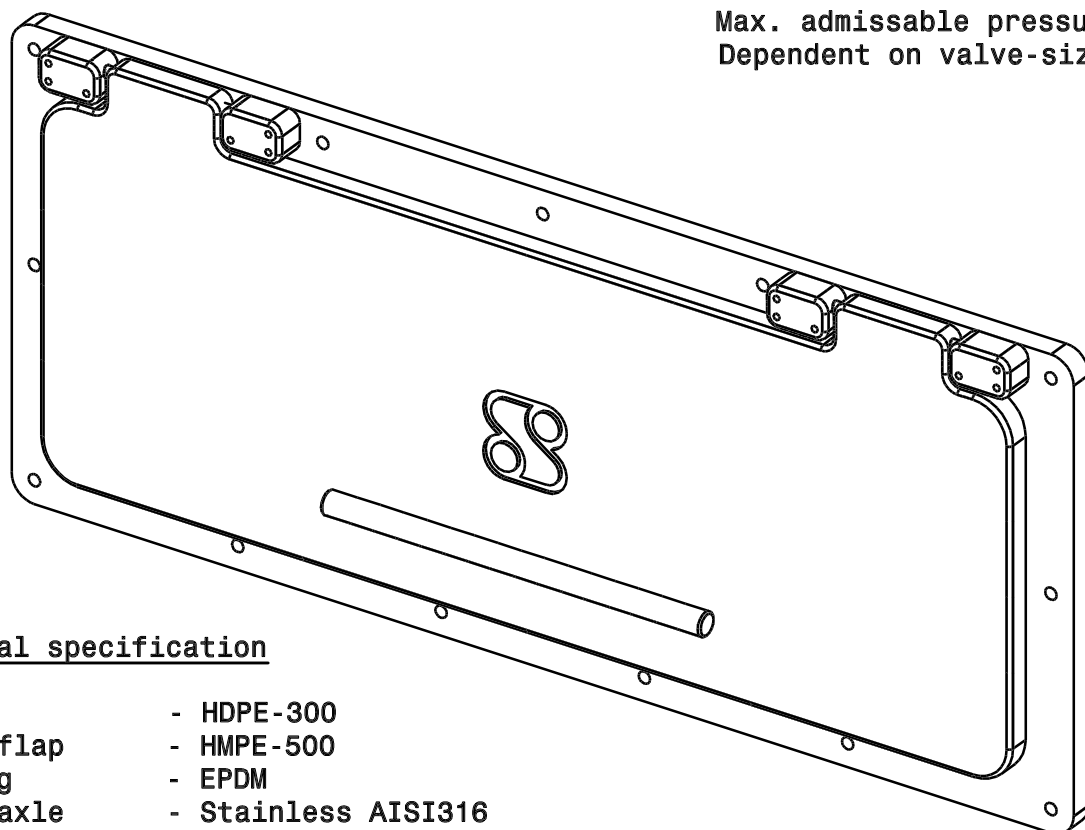
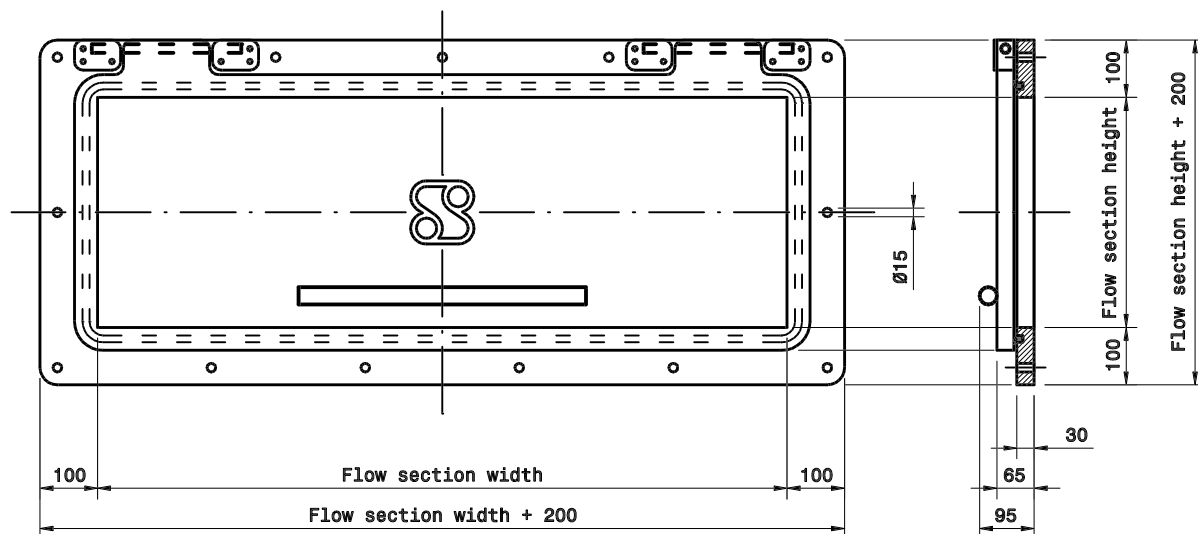


type P0



Synthesis BV - tel. +31 (0)321 380457  
Koperweg 17 - 8251 KA Dronten

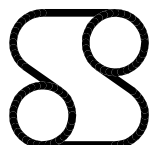
# Check valve, rectangular flow section



Max. admissible pressure:  
Dependent on valve-size

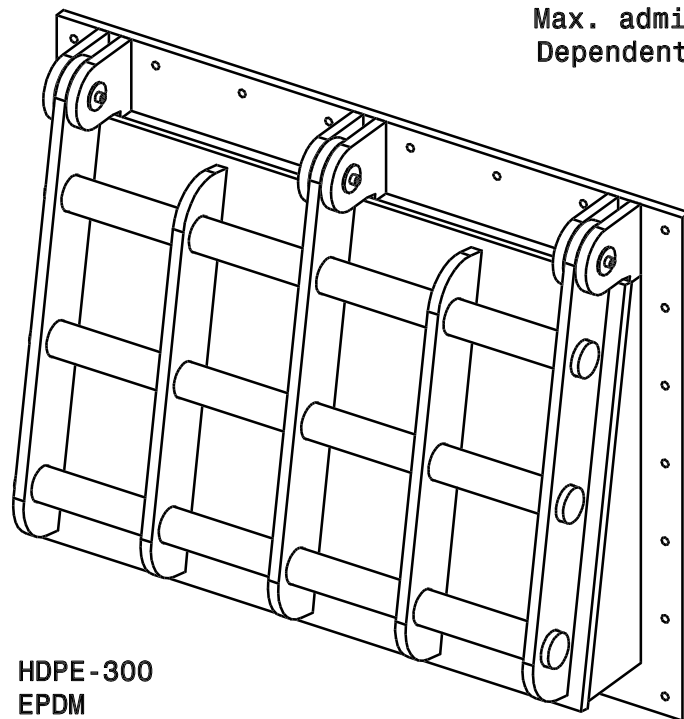
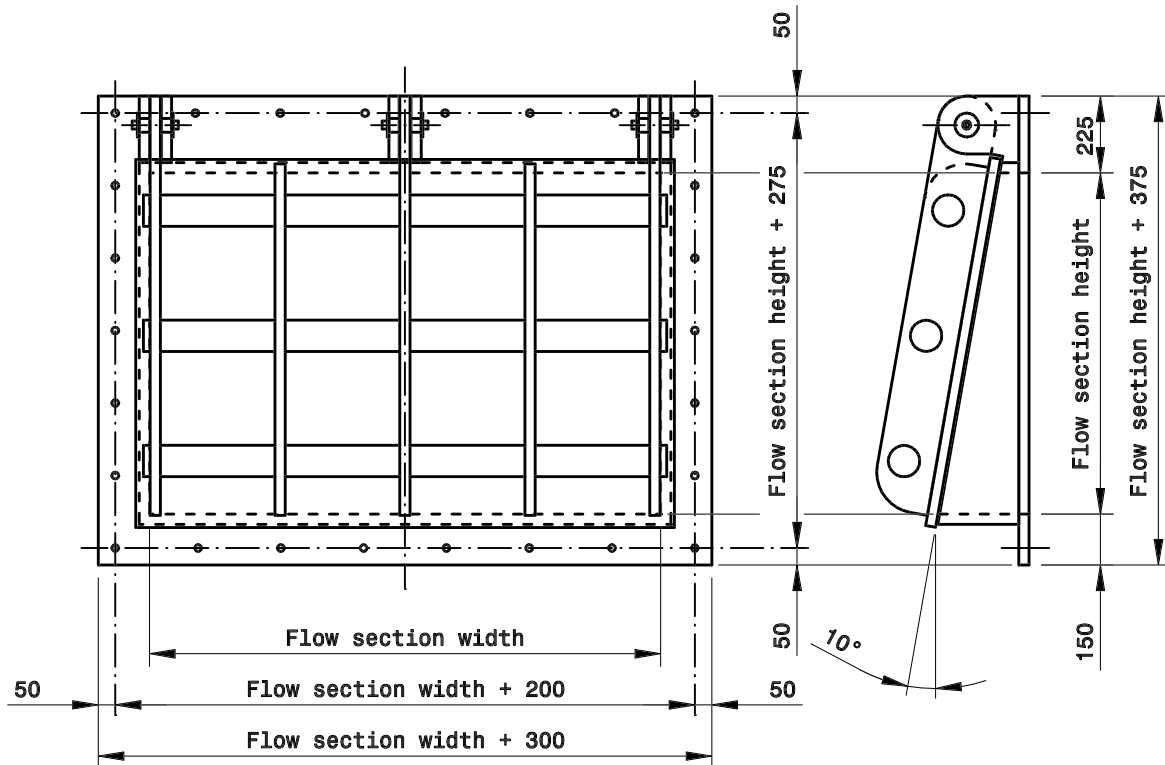
## Material specification

Frame	- HDPE-300
Valve flap	- HMPE-500
Sealing	- EPDM
Valve axle	- Stainless AISI316
Bolts/nuts	- A4



Synthesis BV - tel. +31 (0)321 380457  
Koperweg 17 - 8251 KA Dronten

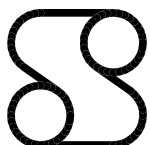
# Check valve, rectangular flow section



Max. admissible pressure:  
Dependent on valve-size

## Materials

- Valve and frame - HDPE-300
- Seal - EPDM
- Axles - Stainless AISI316



**Synthesis BV - tel. +31 (0)321 380457**  
**Koperweg 17 - 8251 KA Dronten**