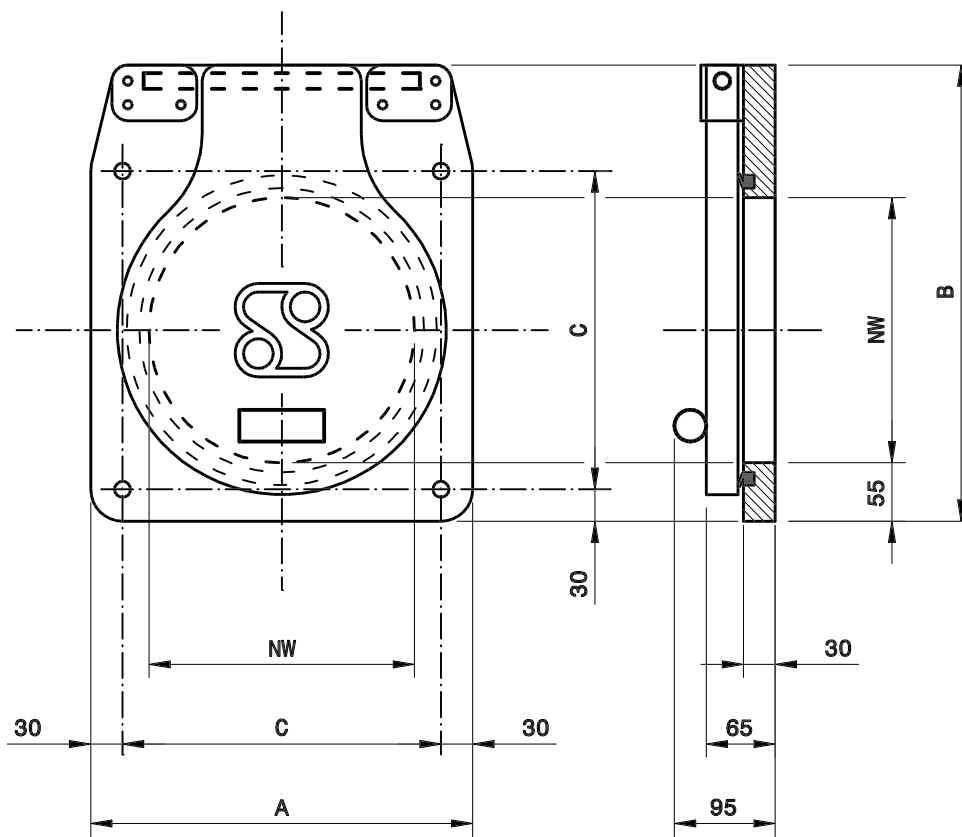


Check valve NW 125-300 type 0

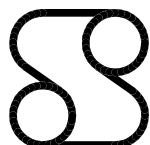
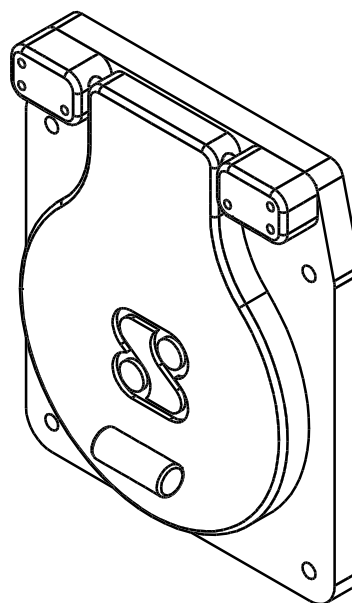


| NW | A | B | C | weight |
|-----|-----|-----|-----|--------|
| 125 | 235 | 295 | 175 | 4 kg. |
| 150 | 260 | 325 | 200 | 4 kg. |
| 200 | 310 | 378 | 250 | 5 kg. |
| 250 | 360 | 430 | 300 | 7 kg. |
| 300 | 410 | 480 | 350 | 8 kg. |

Material specification

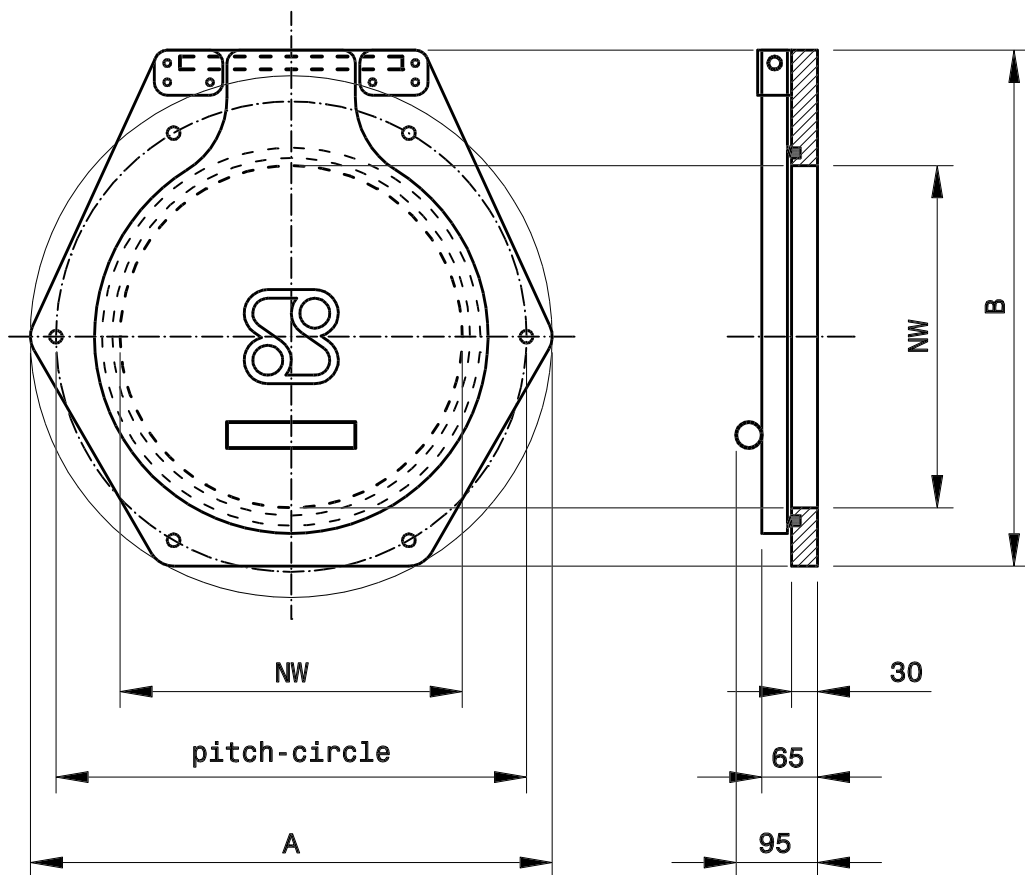
Frame - HDPE-300
 Valve - HMPE-500
 Sealing - EPDM
 Valve axle - Stainless AISI316
 Bolts/nuts - A4

Mounting : 4x anchor M12
 Max. pressure : 1 bar (14.5 psi)



Synthesis BV - tel. +31 (0)321 380457
Koperweg 17 - 8251 KA Dronten

Check valve NW 400-600 type 0

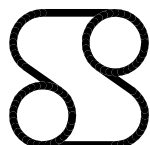
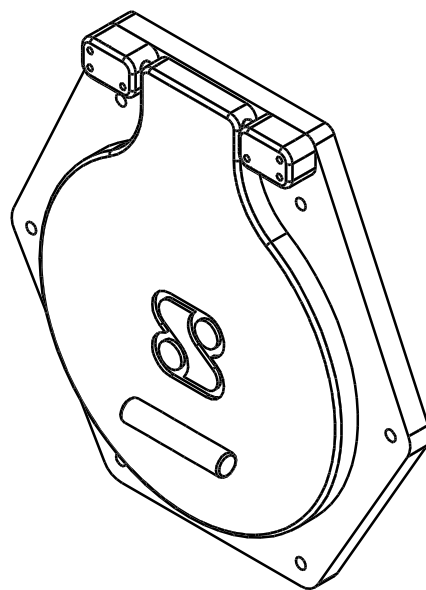


| NW | A | B | pitch-circle | weight |
|-----|------|-----|---------------|--------|
| 400 | Ø610 | 603 | Ø550 (6x Ø15) | 11 kg. |
| 500 | Ø710 | 699 | Ø650 (6x Ø15) | 14 kg. |
| 600 | Ø810 | 824 | Ø750 (8x Ø15) | 18 kg. |

Material specification

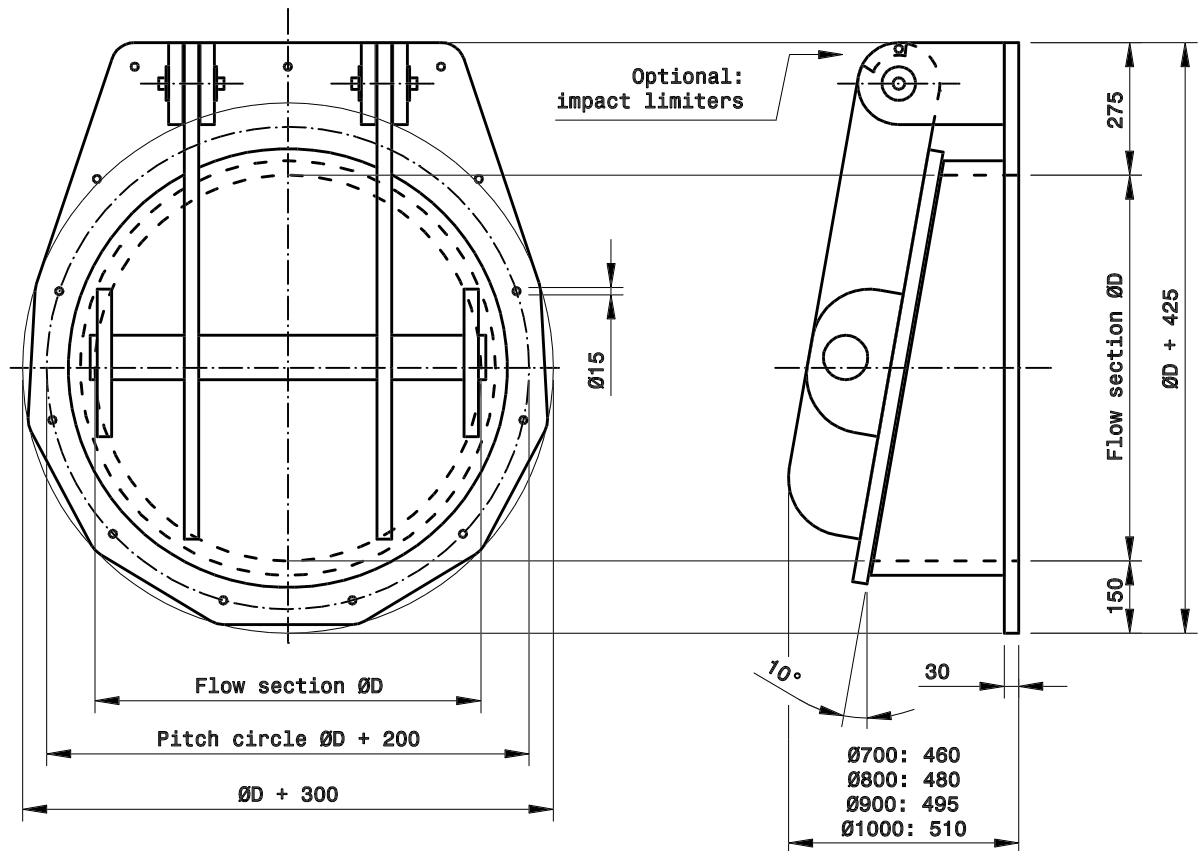
| | |
|------------|---------------------|
| Frame | - HDPE-300 |
| Valve | - HMPE-500 |
| Sealing | - EPDM |
| Valve axle | - Stainless AISI316 |
| Bolts.nuts | - A4 |

| | |
|---------------|---------------------|
| Mounting | : anchors M12 |
| Max. pressure | : 0.6 bar (8.7 psi) |



Synthesis BV - tel. +31 (0)321 380457
Koperweg 17 - 8251 KA Dronten

Check valve Ø700-Ø1000 type 0



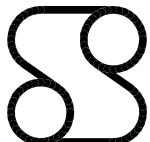
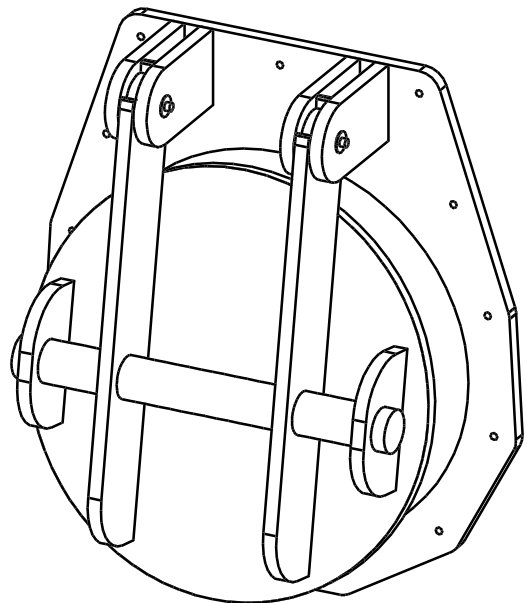
| ØD | Mounting | Weight |
|-------|-----------------|--------|
| Ø700 | 13x Ø15 for M12 | 55 kg. |
| Ø800 | 13x Ø15 for M12 | 60 kg. |
| Ø900 | 13x Ø15 for M12 | 75 kg. |
| Ø1000 | 16x Ø15 for M12 | 85 kg. |

Material specification

Frame and valve - HDPE-300
 Sealing - EPDM
 Valve axles - Stainless AISI316

Supplemental data

Max. pressure : 0.6 bar (8.7 psi)
 An air bleed connection and impact limiters can be supplied when the valve is used as a pump discharge valve.



Synthesis BV - tel. +31 (0)321 380457
Koperweg 17 - 8251 KA Dronten